

Floor plan: Bending machines EB 30 CNC / EB 40 CNC

EHRT

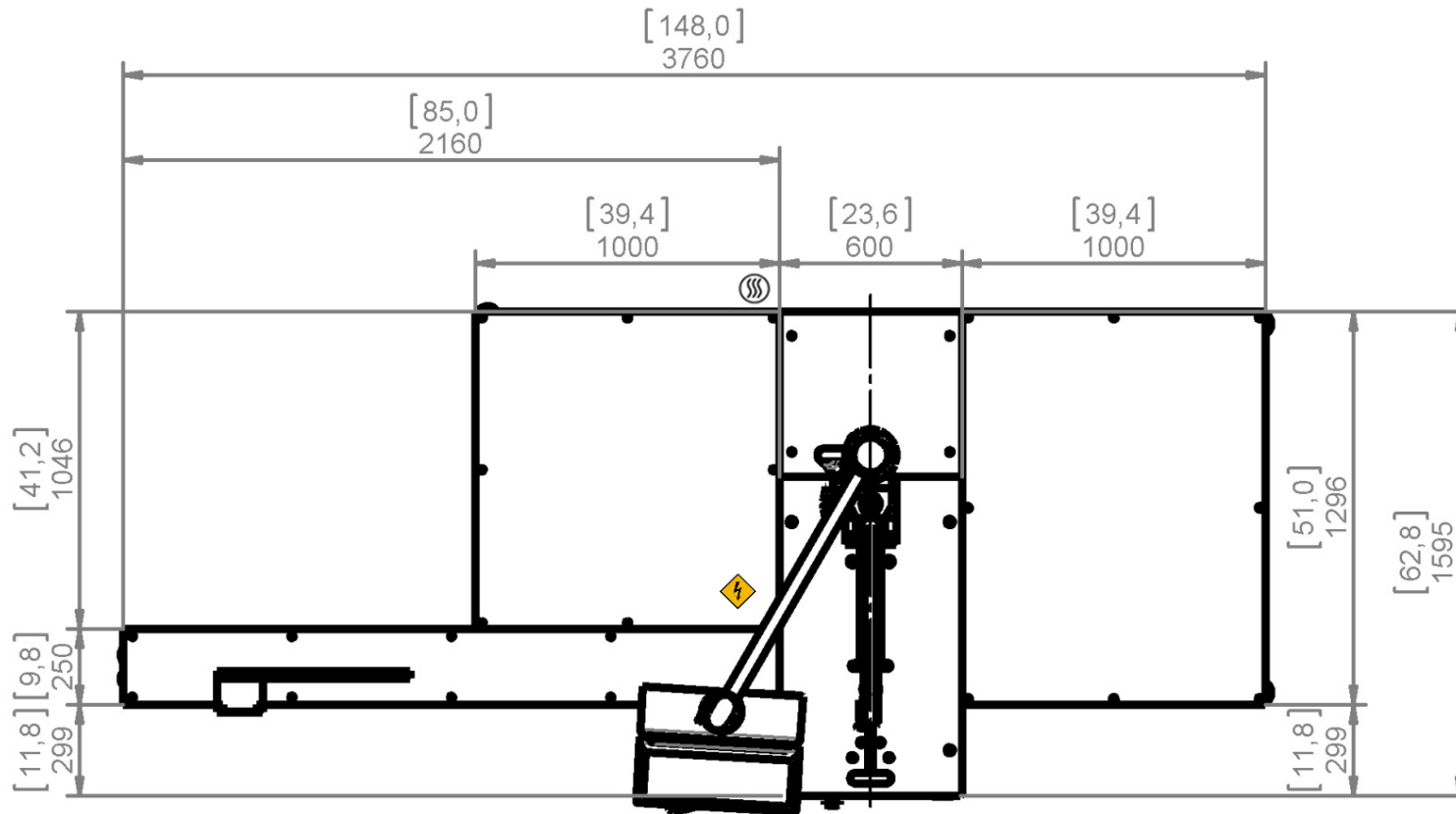
Maschinenbau GmbH

D-53619 Rheinbreitbach

Tel: +49/(0)2224/9248-0

E-mail: info@ehrt.de

www.ehrt.de



Technical Data

Maximum height	1870 mm
Working height	900 mm
Weight – punching machine	1100 kg

Electrical Supply ⚡

Voltage	400 V/480 V
Fuse protection	3Ph/N/PE
Input lead (recommended)	25 A
	5 x 4 mm ²

Air / Oil

Air connection SS	G 1/4
Air pressure	6 bar
Air consumption	max. 20 l/min
Oil volume	12l (Visc. 46)