

Floor plan: Holecut 80-25 Professional

EHRT

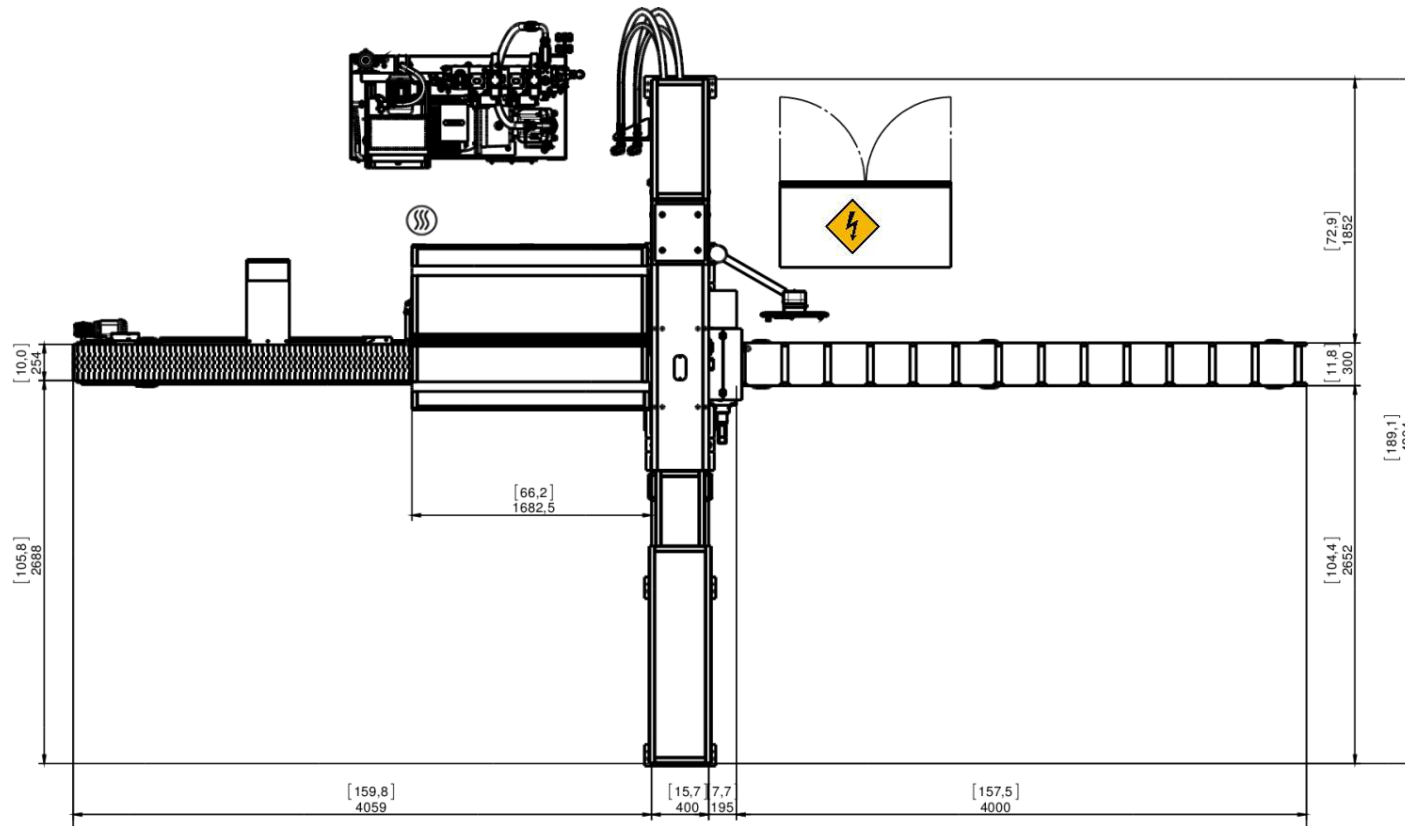
Maschinenbau GmbH

D-53619 Rheinbreitbach

Tel: +49/(0)2224/9248-0

E-mail: info@ehrt.de

www.ehrt.de



Technical Data

Maximum height	1950 mm
Working height	900 mm
Weight – punching machine	7100 kg

Electrical Supply ⚡

Voltage	400 V/480 V
Fuse protection	125 A
Input lead (recommended)	4 x 35 mm ²

Air / Oil

Air connection	⊗	G 1/4
Air pressure		6 bar
Air consumption		max. 150 l/min
Oil volume		400l (Visc. 46)