

Floor plan:

Holecut 60-32 Professional with Gantry for 6m material

EHRT

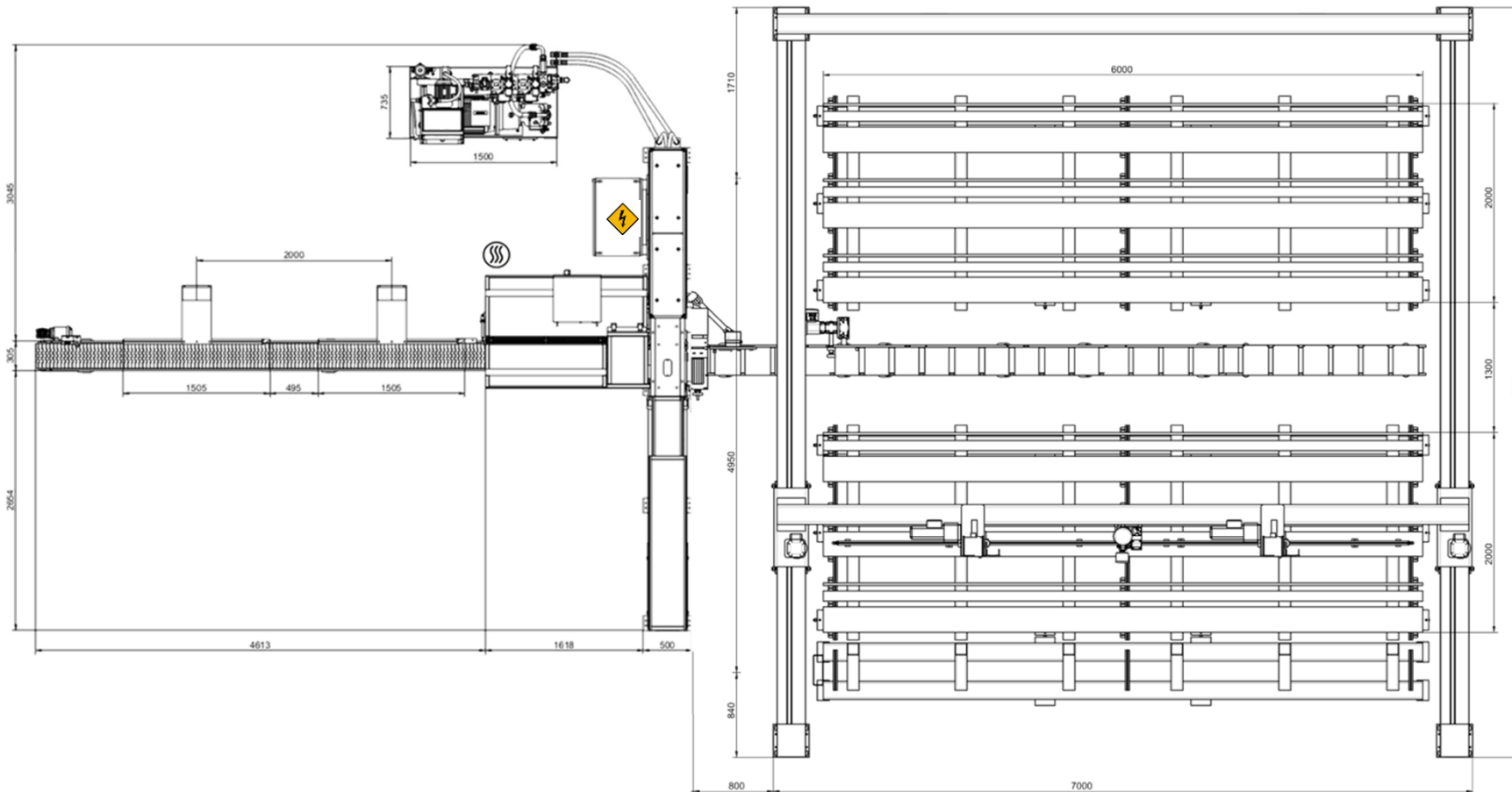
Maschinenbau GmbH

D-53619 Rheinbreitbach

Tel: +49/(0)2224/9248-0

E-mail: info@ehrt.de

www.ehrt.de



Gantry:
combination
and dimensions
are customized !

Technical Data

Maximum height (punch)	2370 mm
Working height	900 mm
Weight – punching machine	6500 kg
Weight – gantry system	- on request -

Electrical Supply ⚡

Voltage	400 V/480 V
Fuse protection	125 A
Input lead (recommended)	4 x 50 mm ²

Air / Oil

Air connection	⊕	G 1/4
Air pressure		6 bar
Air consumption		max. 150 l/min
Oil volume		400l (Visc. 46)