

Floor plan: EB 30 Professional E / EB 40 Professional E

EHRT

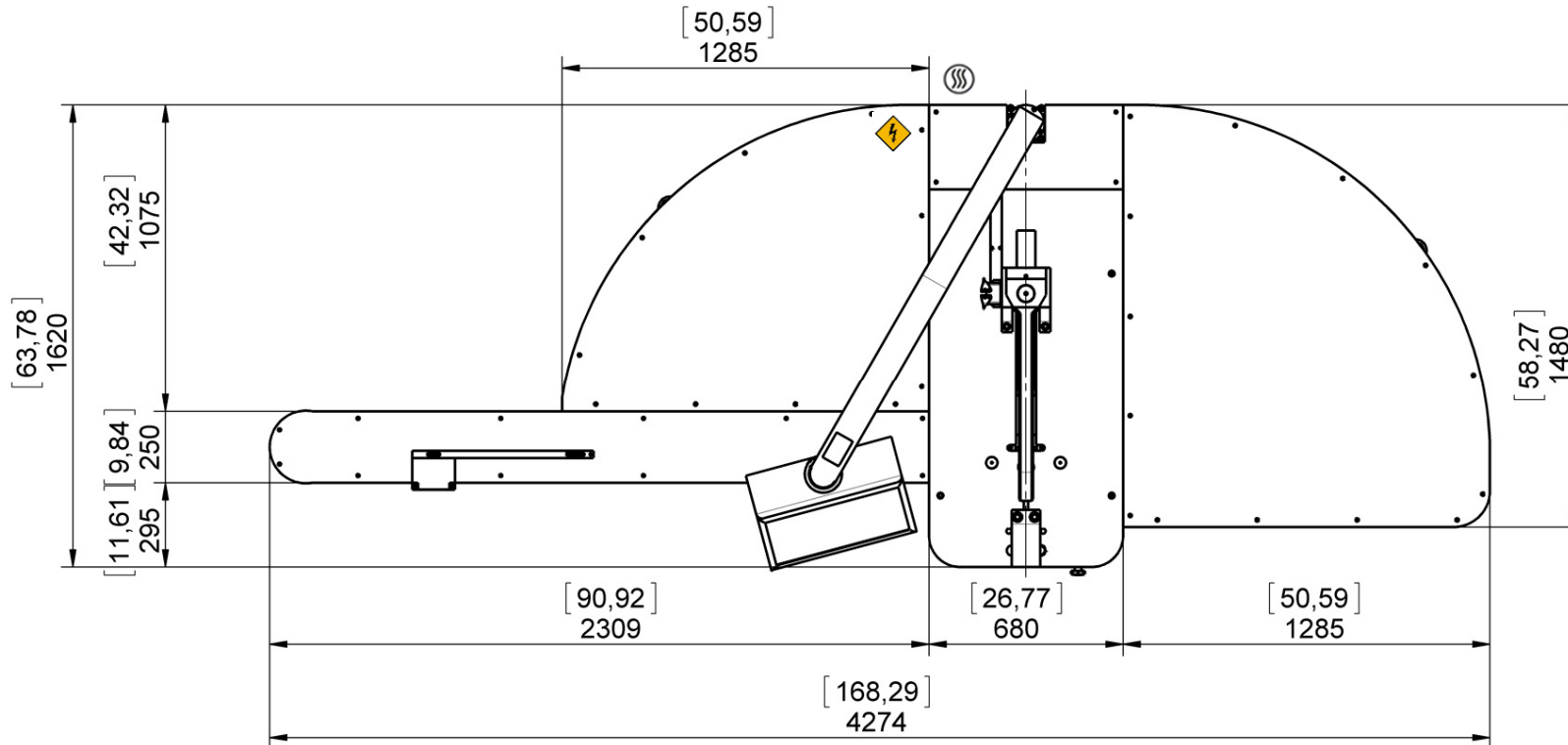
Maschinenbau GmbH

D-53619 Rheinbreitbach

Tel: +49/(0)2224/9248-0

E-mail: info@ehrt.de

www.ehrt.de



Technical Data

Maximum height	1870 mm
Working height	930 mm
Weight – punching machine	1900 kg

Electrical Supply ⚡

Voltage	400 V/480 V
Fuse protection	3Ph/N/PE 25 A
Input lead (recommended)	5 x 6 mm ²

Air

Air connection Ⓢ	G 1/4
Air pressure	6 bar
Air consumption	max. 20 l/min